



SUPPLYING DEMAND<sup>®</sup>

# TERMINAL BLOCK INSTRUCTIONS

## SD9761346X2\_814399X2



### WARNING

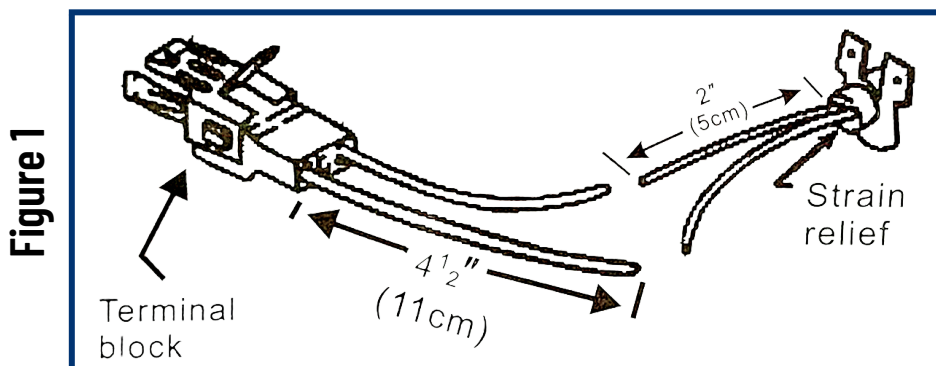
#### ELECTRICAL SHOCK HAZARD

Disconnect power before servicing. Replace all panels before operating. Failure to do so can result in death or electrical shock.

### KIT CONTENTS

- 1 TERMINAL BLOCK WITH 6" LEAD WIRES
- 2 HEAT SHRINK SLEEVES
- 2 WIRE CONNECTORS
- INSTALLATION INSTRUCTIONS

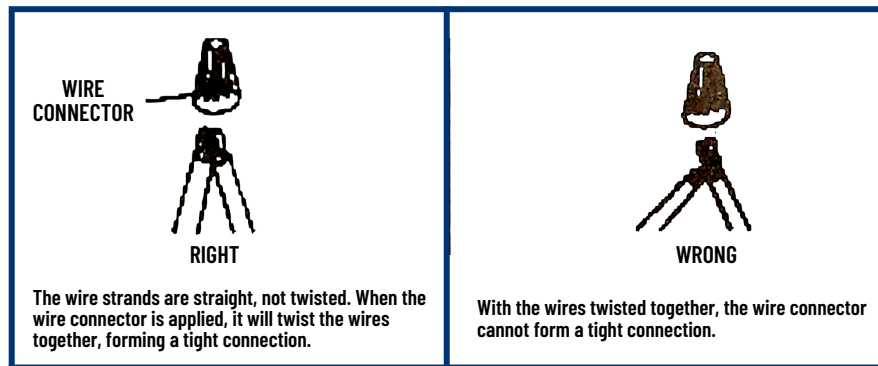
1. Disconnect power at the fuse box and unplug range before starting
2. Remove the surface unit, reflector pan, and the terminal block mounting screw
3. Raise the cooktop and remove the terminal block by cutting the two wires no more than 4 1/2" from the terminal block and no closer than 2" to the strain relief at the back of the cooktop. See Figure 1.



4. Slide one heat shrink sleeve over each of the terminal block wires
5. Remove 3/8" of insulation from the two wires from the strain relief and attach the new terminal block using the wire connectors. See figure 2.

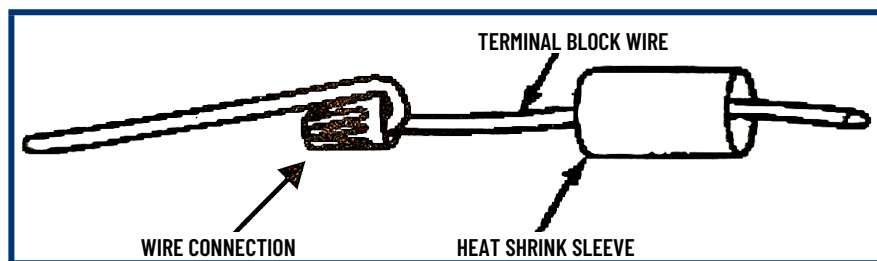
**NOTE:** Be sure to apply the wire connectors as shown.

Figure 2



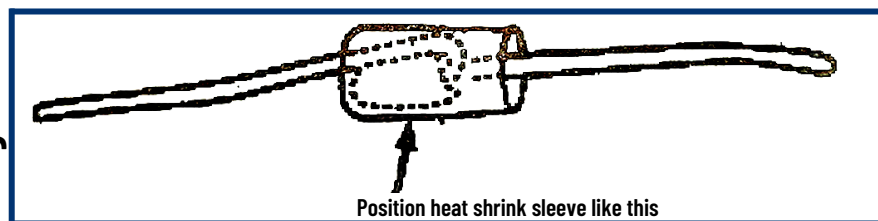
6. With the wire connectors properly installed, form the joined wires as shown in Figure 3.

Figure 3



7. Position the heat shrink sleeves on wires as shown in Figure 4. Carefully apply heat to the sleeves to shrink them in place. Avoid direct contact of the heat source to the sleeves and wires.

Figure 4



8. When properly applied, the heat shrink should look like Figure 5. Mount the terminal block to the cooktop with the screw. Lower the cooktop and install the reflector pan and surface unit. Reconnect power and plug in range.

Figure 5

